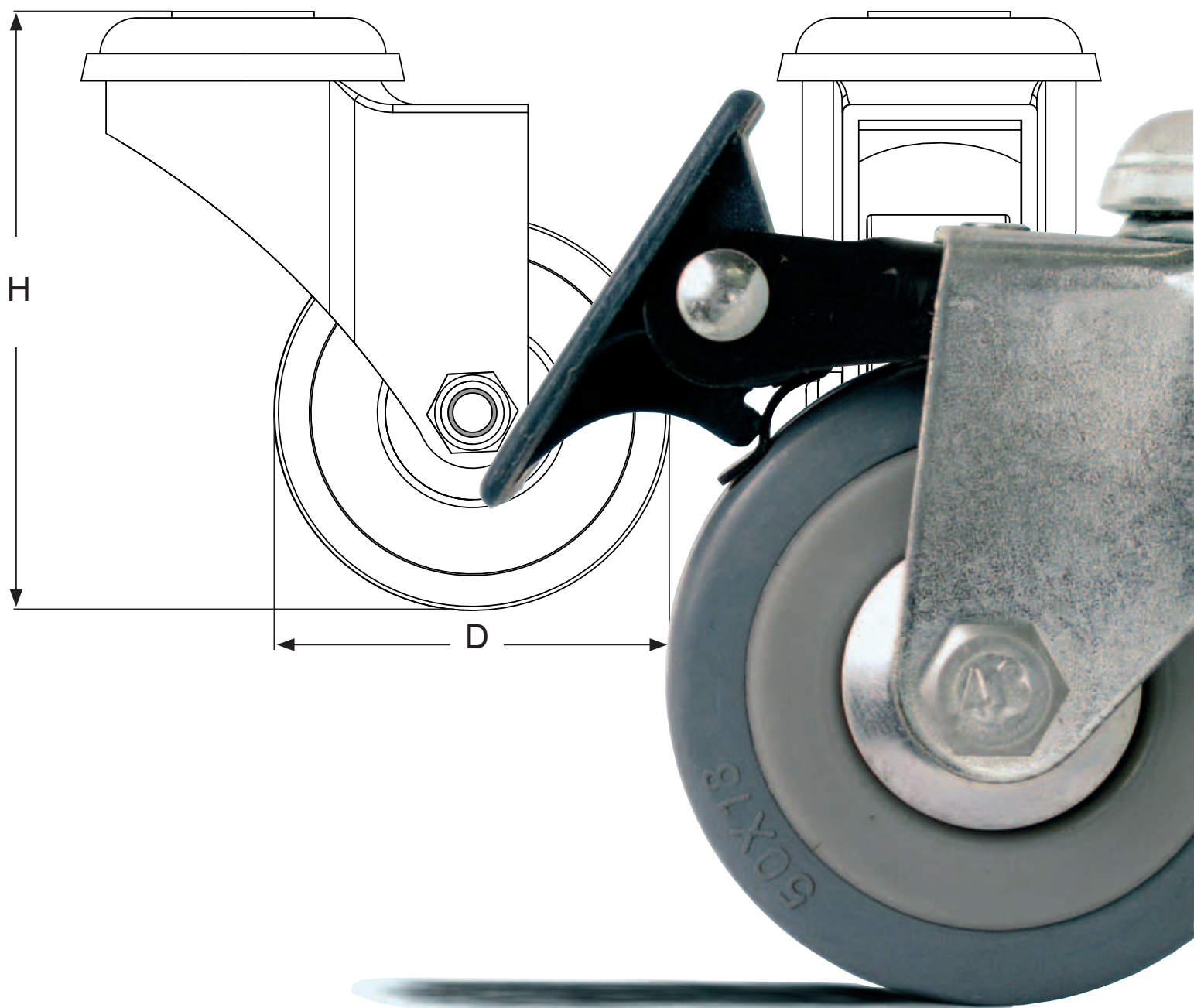


Fork

CASTORS



- high quality furniture fittings



CONTENTS

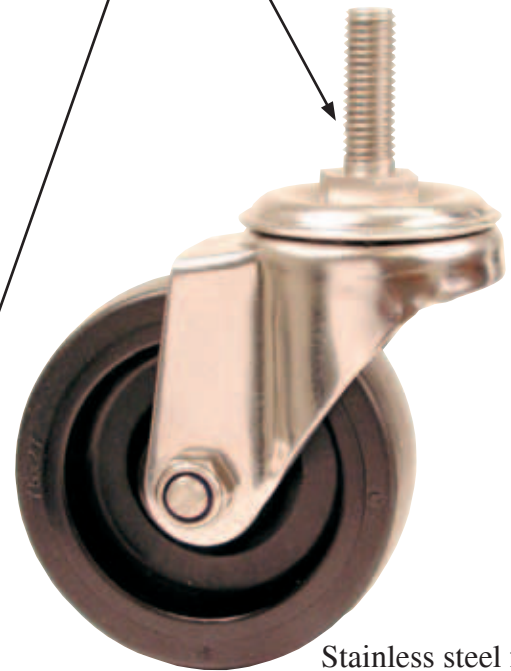
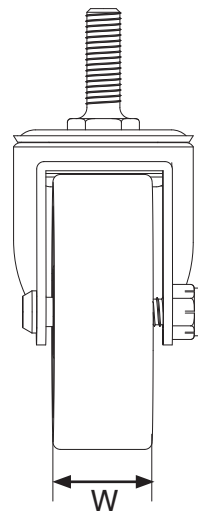
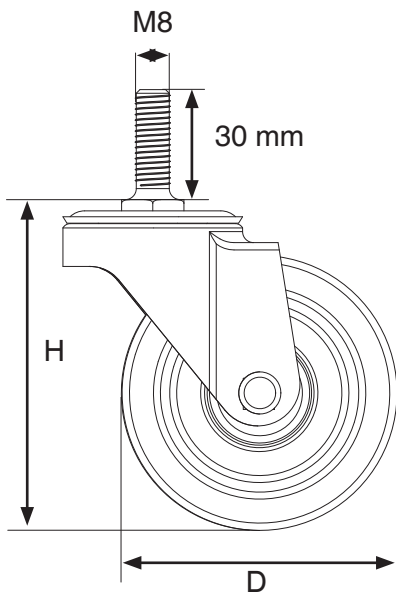
STAINLESS STEEL FORK CASTOR	3
STEEL FORK CASTOR W/TOP PLATE	4
STEEL FORK CASTOR W/TOP PLATE & FULL BRAKE	5
STEEL FORK CASTOR W/THREADED STEM	6
STEEL FORK CASTOR W/HOLE FOR BOLT	7

STAINLESS STEEL FORK CASTOR W/THREADED STEM

Material:	Wheel:	Black soft rubber
	Metal parts:	Stainless Steel
Application:	Premounted threaded stem in M8 x 30 mm With or without brake	
H:	95 mm (Mount. Height incl. nut flange)	
W:	27 mm	
D:	Ø 75 mm	
Max load:	75 kg	
With brake	# 08.12.200	
Without brake	# 08.12.201	



BBQ Table made by Alexander Rose



Stainless steel fork castor without brake

Stainless steel fork castor with brake



**STEEL FORK CASTOR
W/TOP PLATE**

Material: Wheel: Grey soft rubber
Metal parts: Steel, Bright Zinc Plated

Application: Premounted top plate
With or without brake

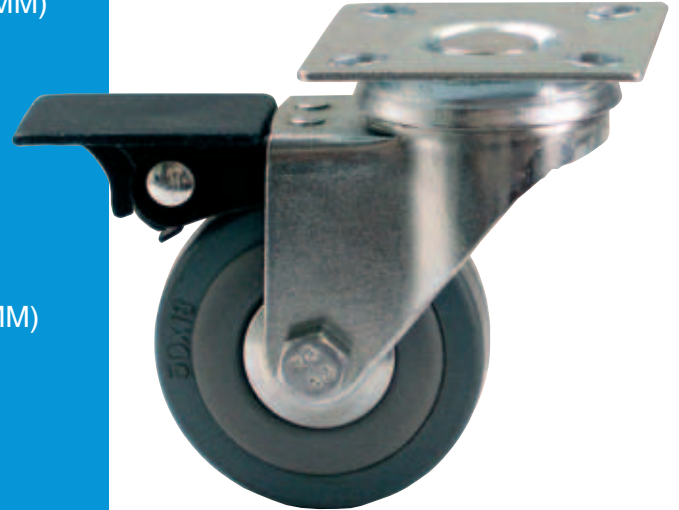
Ø 50 MM (TOP PLATE 50 X 50 MM. C/C 35 X 35 MM)
H: 72 mm (Mount. Height incl. top plate)
W: 16 mm
D: ø 50 mm
Max load: 50 kg

With brake # 08.12.162
Without brake # 08.12.161

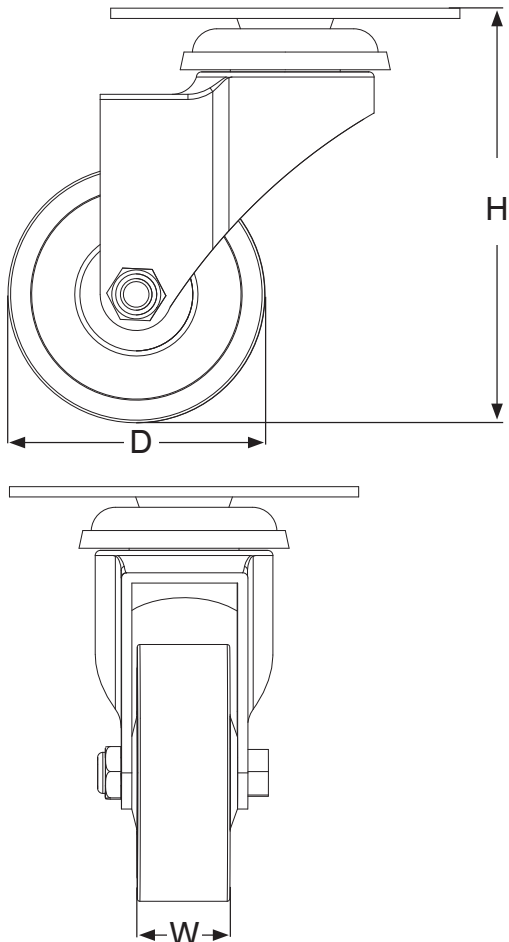
Ø 75 MM (TOP PLATE 65 X 65MM. C/C 45 X 45 MM)
H: 104 mm (Mount. Height incl. top plate)
W: 21 mm
D: ø 75 mm
Max load: 70 kg

With brake # 08.12.164
Without brake # 08.12.163

OTHER SIZES ON REQUEST



Fork castor with brake



Fork castor without brake

STEEL FORK CASTOR W/TOP PLATE & FULL BRAKE

- high quality furniture fittings



STEEL FORK CASTOR W/TOP PLATE & FULL BRAKE

Material: Wheel: Grey soft rubber
Metal parts: Steel, Bright Zinc Plated

Application: Premounted top plate
With total brake which prevents as well
swivelling as turning
(TOP PLATE 65 X 65MM. C/C 45 X 45 MM)

Ø 75 MM
H: 104 mm (Mount. Height incl. top plate)
W: 21 mm
D: ø 75 mm
Max load: 70 kg

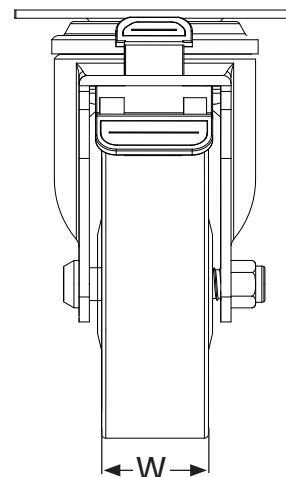
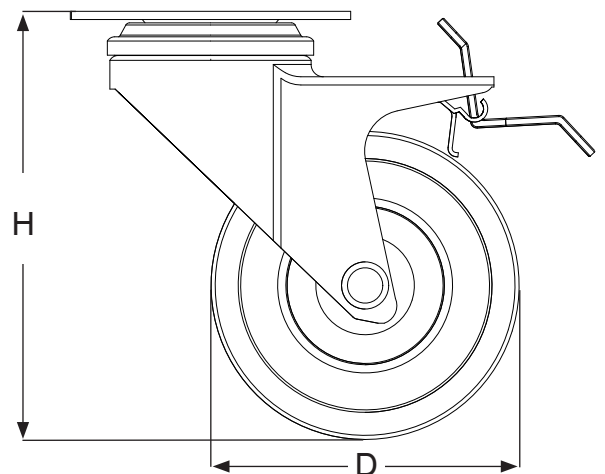
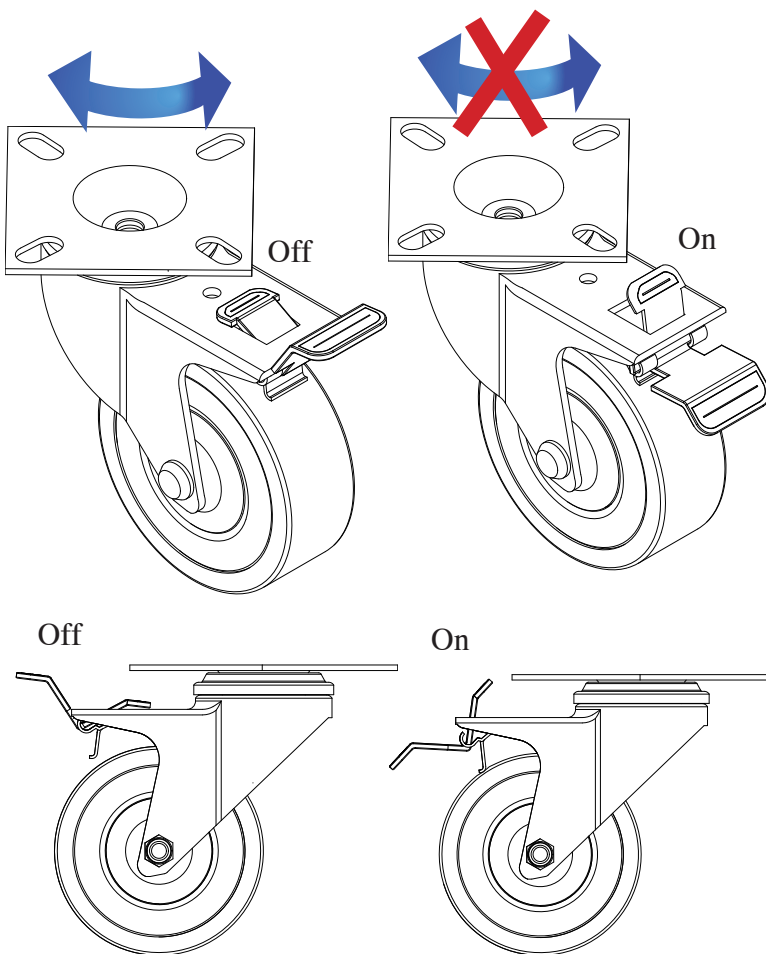
With full brake # 08.12.167

OTHER SIZES ON REQUEST



Fork castor with full brake

Brake system in action



STEEL FORK CASTOR W/THREADED STEM

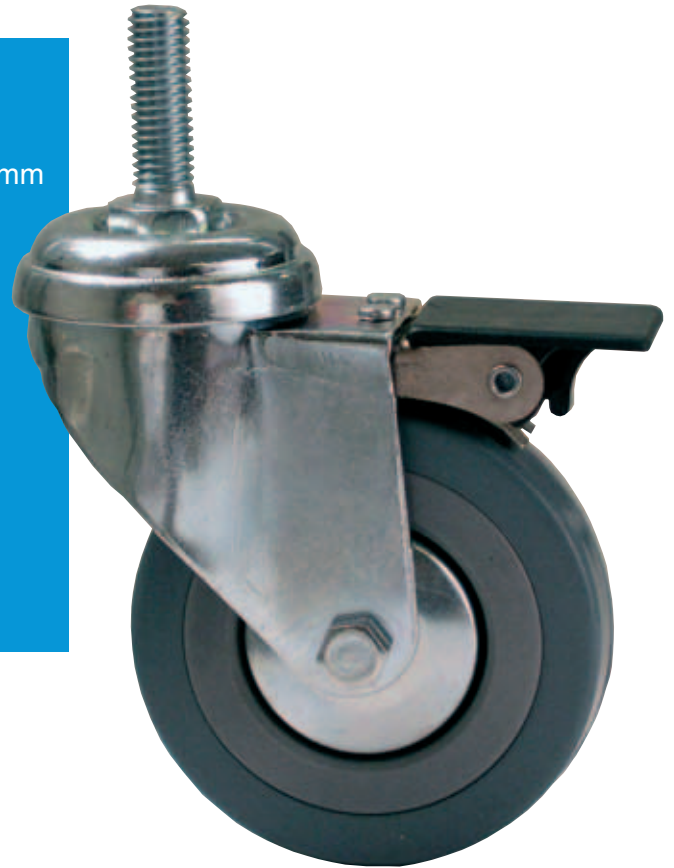
Material: Wheel: Grey soft rubber
 Metal parts: Steel, Bright Zinc Plated

Application: Premounted threaded stem in M10 x 30 mm
 With or without brake

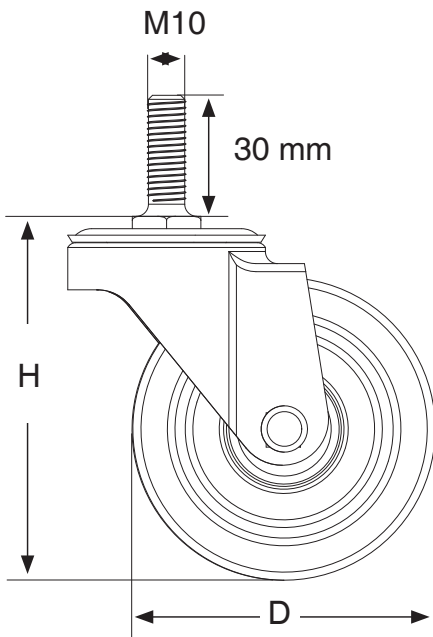
Ø 75 MM (THREADED STEM M10 X 30 MM)
 H: 104 mm (Mount. Height incl. nut flange)
 W: 21 mm
 D: ø 75 mm
 Max load: 70 kg

With brake # 08.12.166
 Without brake # 08.12.165

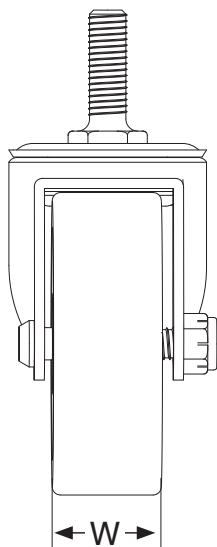
OTHER SIZES ON REQUEST



Fork castor with brake



Fork castor without brake



STEEL FORK CASTOR W/HOLE FOR BOLT

Material: Wheel: Grey soft rubber
Metal parts: Steel, Bright Zinc Plated

Application: Hole for bolt
With or without brake

Ø 50 MM BOLT HOLE Ø 10,5 MM
H: 70 mm
W: 16 mm
D: ø 50 mm
Max load: 50 kg

With brake # 08.12.169
Without brake # 08.12.168

Ø 75 MM BOLT HOLE Ø 10,5 MM
H: 102 mm
W: 21 mm
D: ø 75 mm
Max load: 70 kg

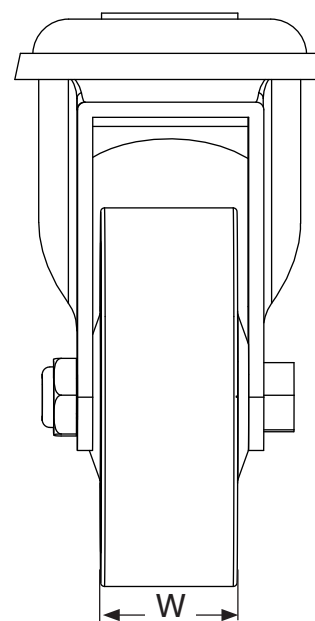
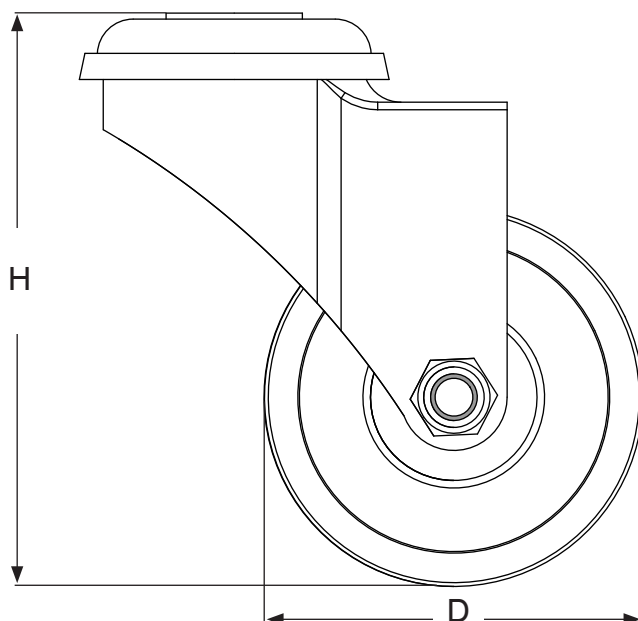
With brake # 08.12.170
Without brake # 08.12.171

Ø 100 MM BOLT HOLE Ø 12,5 MM
H: 132 mm
W: 25 mm
D: ø 100 mm
Max load: 80 kg

With brake # 08.12.206
Without brake # 08.12.205



Fork castor with brake





- high quality furniture fittings

SISO A/S

Skodsborgvej 48E Phone: (+45) 45 830 900
DK - 2830 Virum (Copenhagen) Fax: (+45) 45 830 444 - 45 830 440
Denmark E-mail: siso@siso.dk Web: www.siso.dk